

## Clamping Bolts

**Stainless Steel, Downward Clamping, with Threaded Bolt, Screw from the Operator's side, Screw from the Back**

### SPECIFICATION

#### Types

- Type **KV / KVS / KVB**: With ball lever, angular (serration)
- Type **GV / GVS / GVB**: With ball lever, straight (serration)
- Type **SK / SKS / SKB**: With hex

#### Clamping direction

- Type **R**: By clockwise rotation (drawn version)
- Type **L**: By anti-clockwise rotation

Stainless steel

#### Version with Threaded Bolt

- Clamping bolt  
AISI 303, chemically nickel plated
- Threaded bolt and thrust washer  
AISI 630, tempered
- Lever  
AISI 303, matte shot-blasted

#### Version with Screw from the Operator's Side

- Clamping bolt  
AISI 303, chemically nickel plated
- Guide bushing and thrust washer  
AISI 630, tempered
- Socket cap screw DIN 912-12.9
- Lever  
AISI 303, matte shot-blasted

#### Version with Screw from the Back

- Clamping bolt  
AISI 303, chemically nickel plated
- Threaded bushing, thrust washer and washer  
AISI 630, tempered
- Socket cap screw DIN 912-12.9
- Lever  
AISI 303, matte shot-blasted

Ball knob DIN 319 (see page )

Plastic, Duroplast

Black, shiny finish

### INFORMATION

Clamping bolts GN 918.7 have a circumferential wedge surface. They allow for rapid and secure clamping and releasing with a relatively large clamping range and with high clamping force. Owing to the small pitch angle (wedge angle), the clamping bolt is self-locking. The ball levers of types KV / KVS / KVB and GV / GVS / GVB form a positive connection with the clamping bolt by means of a serration. During assembly, the lever can thus be fixed in a position favorable for clamping or, in the relaxed position, rotated out of the clamping range.

#### Version with Threaded Bolt

Use of the thrust washer eliminates the need for special requirements on the execution of the threaded hole, which allows, for example, fastening to tables with T-slots.

#### Version with Screw from the Operator's Side

Fastening via screw from the operator's side bridges a greater clamping range. A sufficiently large screw-in depth  $t$  is necessary to safely absorb the screw forces.

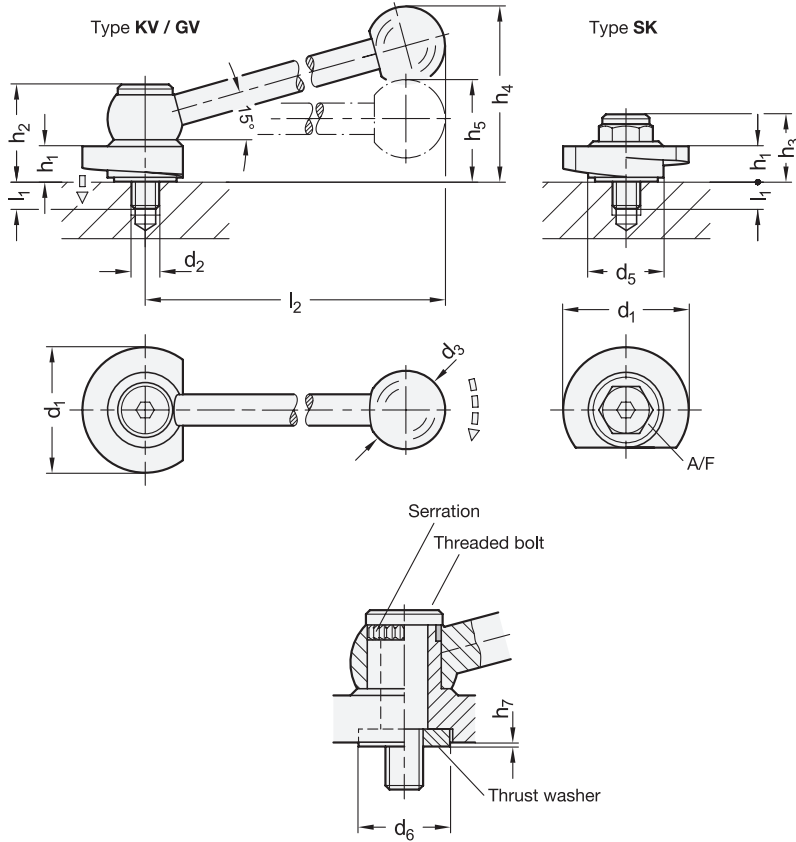
#### Version with Screw from the Back

Fastening with a bushing allows the part to be used even if there is no thread in the surrounding structure. The heavy duty washer directs the resulting screw forces into the surrounding structure.



### TECHNICAL INFORMATION

- Technical instructions (see page )
- Strength Values of Screws (see page A20)
- Plastic Characteristics (see page A2)
- Stainless Steel Characteristics (see page A26)



\* Complete with

**R** By clockwise rotation (drawn version)      **L** By anti-clockwise rotation

**GN 918.7-KV**

**STAINLESS STEEL**

Description	d1 -0.5	d2	d3	d5	d6	h1	h2	h4 ≈	h5	h7 ≈	l1	l2 ≈	⚖
GN 918.7-40-KV-*	40	M 8	25	24	20	10	31	55	31	0.2	8	100	181
GN 918.7-50-KV-*	50	M 10	30	28	24	12	35	62	36	0.2	11	116	310

**GN 918.7-GV**

**STAINLESS STEEL**

Description	d1 -0.5	d2	d3	d5	d6	h1	h2	h4 ≈	h5	h7 ≈	l1	l2 ≈	⚖
GN 918.7-40-GV-*	40	M 8	25	24	20	10	31	55	31	0.2	8	100	178
GN 918.7-50-GV-*	50	M 10	30	28	24	12	35	62	36	0.2	11	116	350

**GN 918.7-SK**

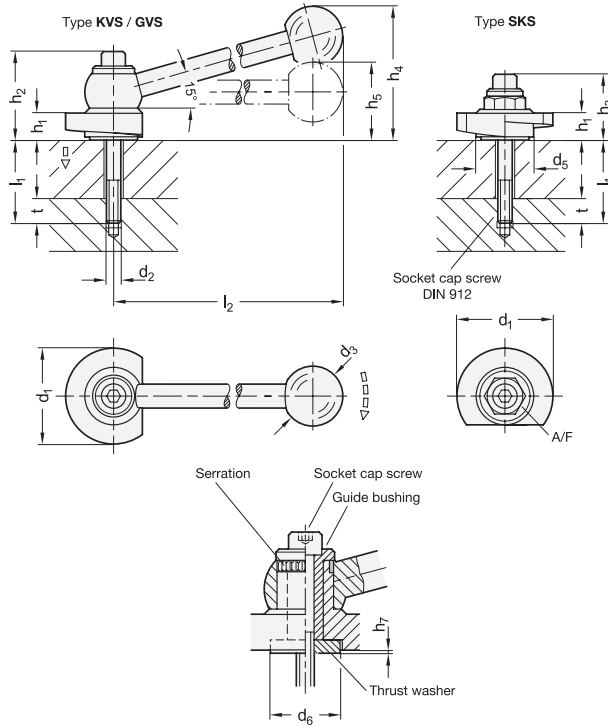
**STAINLESS STEEL**

Description	d1 -0.5	d2	d5	d6	h1	h2	h3	h7 ≈	l1	A/F	⚖
GN 918.7-40-SK-*	40	M 8	24	20	10	31	21.5	0.2	8	15	88
GN 918.7-50-SK-*	50	M 10	28	24	12	35	24.5	0.2	11	19	156

Weight type R



Machine elements



\* Complete with

**R** By clockwise rotation (drawn version)

**L** By anti-clockwise rotation

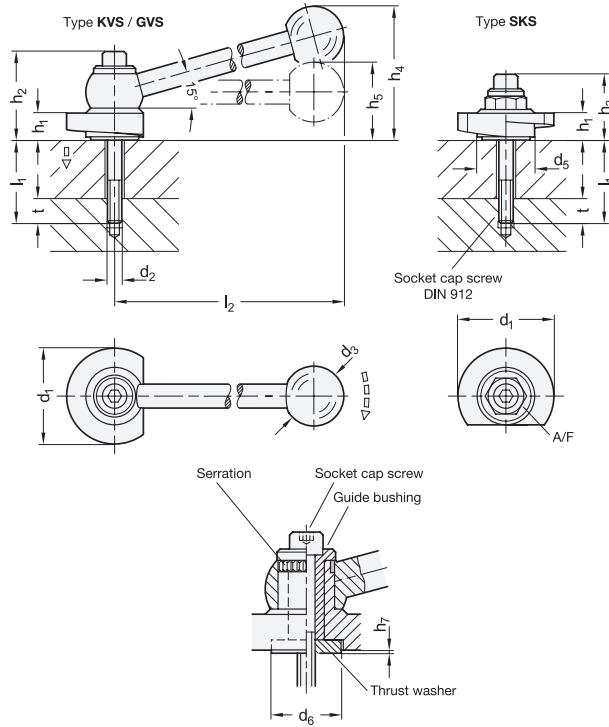
GN 918.7-KVS

STAINLESS STEEL

Description	d1 -0.5	l1	d2	d3	d5	d6	h1	h2	h4 ≈	h5	h7 ≈	l2 ≈	⚖
GN 918.7-40-KVS-*-10	40	10	M 6	25	24	20	10	36	55	31	0.2	100	157
GN 918.7-40-KVS-*-15	40	15	M 6	25	24	20	10	36	55	31	0.2	100	158
GN 918.7-40-KVS-*-20	40	20	M 6	25	24	20	10	36	55	31	0.2	100	159
GN 918.7-40-KVS-*-25	40	25	M 6	25	24	20	10	36	55	31	0.2	100	160
GN 918.7-40-KVS-*-30	40	30	M 6	25	24	20	10	36	55	31	0.2	100	161
GN 918.7-40-KVS-*-40	40	40	M 6	25	24	20	10	36	55	31	0.2	100	162
GN 918.7-40-KVS-*-45	40	45	M 6	25	24	20	10	36	55	31	0.2	100	163
GN 918.7-40-KVS-*-50	40	50	M 6	25	24	20	10	36	55	31	0.2	100	163
GN 918.7-40-KVS-*-60	40	60	M 6	25	24	20	10	36	55	31	0.2	100	165
GN 918.7-40-KVS-*-65	40	65	M 6	25	24	20	10	36	55	31	0.2	100	167
GN 918.7-40-KVS-*-70	40	70	M 6	25	24	20	10	36	55	31	0.2	100	169
GN 918.7-40-KVS-*-80	40	80	M 6	25	24	20	10	36	55	31	0.2	100	171
GN 918.7-40-KVS-*-90	40	90	M 6	25	24	20	10	36	55	31	0.2	100	173
GN 918.7-50-KVS-*-12	50	12	M 8	30	28	24	12	41	62	36	0.2	116	259
GN 918.7-50-KVS-*-22	50	22	M 8	30	28	24	12	41	62	36	0.2	116	263
GN 918.7-50-KVS-*-32	50	32	M 8	30	28	24	12	41	62	36	0.2	116	267
GN 918.7-50-KVS-*-42	50	42	M 8	30	28	24	12	41	62	36	0.2	116	270
GN 918.7-50-KVS-*-52	50	52	M 8	30	28	24	12	41	62	36	0.2	116	275
GN 918.7-50-KVS-*-62	50	62	M 8	30	28	24	12	41	62	36	0.2	116	278
GN 918.7-50-KVS-*-72	50	72	M 8	30	28	24	12	41	62	36	0.2	116	282
GN 918.7-50-KVS-*-82	50	82	M 8	30	28	24	12	41	62	36	0.2	116	286
GN 918.7-50-KVS-*-92	50	92	M 8	30	28	24	12	41	62	36	0.2	116	288
GN 918.7-50-KVS-*-102	50	102	M 8	30	28	24	12	41	62	36	0.2	116	286
GN 918.7-50-KVS-*-112	50	112	M 8	30	28	24	12	41	62	36	0.2	116	295

Weight type R

Machine elements 9



\* Complete with

R By clockwise rotation (drawn version)

L By anti-clockwise rotation

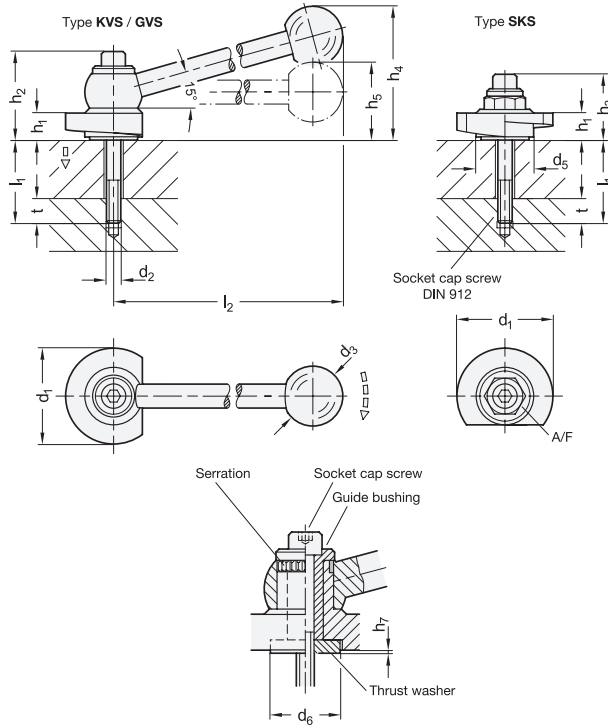
GN 918.7-GVS

STAINLESS STEEL

Description	d1 -0.5	l1	d2	d3	d5	d6	h1	h2	h4 ≈	h5	h7 ≈	l2 ≈	⚖
GN 918.7-40-GVS-*-10	40	10	M 6	25	24	20	10	36	55	31	0.2	100	155
GN 918.7-40-GVS-*-15	40	15	M 6	25	24	20	10	36	55	31	0.2	100	156
GN 918.7-40-GVS-*-20	40	20	M 6	25	24	20	10	36	55	31	0.2	100	157
GN 918.7-40-GVS-*-25	40	25	M 6	25	24	20	10	36	55	31	0.2	100	158
GN 918.7-40-GVS-*-30	40	30	M 6	25	24	20	10	36	55	31	0.2	100	159
GN 918.7-40-GVS-*-40	40	40	M 6	25	24	20	10	36	55	31	0.2	100	160
GN 918.7-40-GVS-*-45	40	45	M 6	25	24	20	10	36	55	31	0.2	100	161
GN 918.7-40-GVS-*-50	40	50	M 6	25	24	20	10	36	55	31	0.2	100	161
GN 918.7-40-GVS-*-60	40	60	M 6	25	24	20	10	36	55	31	0.2	100	163
GN 918.7-40-GVS-*-65	40	65	M 6	25	24	20	10	36	55	31	0.2	100	165
GN 918.7-40-GVS-*-70	40	70	M 6	25	24	20	10	36	55	31	0.2	100	167
GN 918.7-40-GVS-*-80	40	80	M 6	25	24	20	10	36	55	31	0.2	100	169
GN 918.7-40-GVS-*-90	40	90	M 6	25	24	20	10	36	55	31	0.2	100	171
GN 918.7-50-GVS-*-12	50	12	M 8	30	28	24	12	41	62	36	0.2	116	275
GN 918.7-50-GVS-*-22	50	22	M 8	30	28	24	12	41	62	36	0.2	116	279
GN 918.7-50-GVS-*-32	50	32	M 8	30	28	24	12	41	62	36	0.2	116	283
GN 918.7-50-GVS-*-42	50	42	M 8	30	28	24	12	41	62	36	0.2	116	286
GN 918.7-50-GVS-*-52	50	52	M 8	30	28	24	12	41	62	36	0.2	116	291
GN 918.7-50-GVS-*-62	50	62	M 8	30	28	24	12	41	62	36	0.2	116	294
GN 918.7-50-GVS-*-72	50	72	M 8	30	28	24	12	41	62	36	0.2	116	298
GN 918.7-50-GVS-*-82	50	82	M 8	30	28	24	12	41	62	36	0.2	116	302
GN 918.7-50-GVS-*-92	50	92	M 8	30	28	24	12	41	62	36	0.2	116	304
GN 918.7-50-GVS-*-102	50	102	M 8	30	28	24	12	41	62	36	0.2	116	302
GN 918.7-50-GVS-*-112	50	112	M 8	30	28	24	12	41	62	36	0.2	116	311

Weight type R





\* Complete with

**R** By clockwise rotation (drawn version)

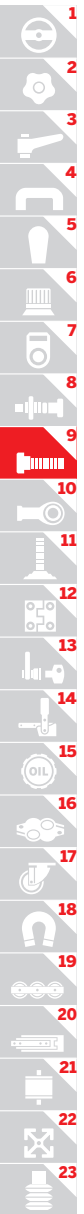
**L** By anti-clockwise rotation

GN 918.7-SKS

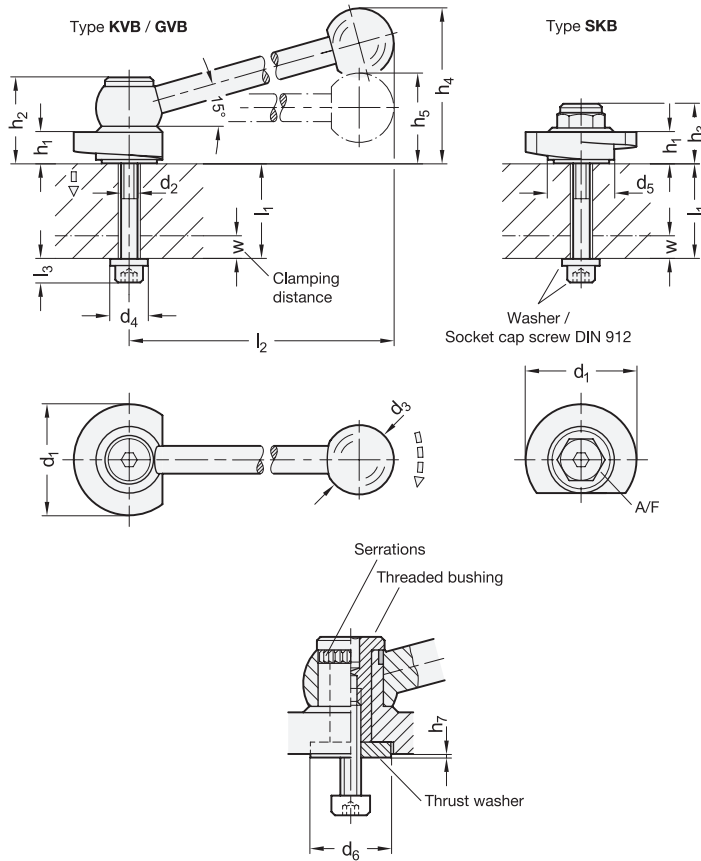
STAINLESS STEEL

Description	d1 -0.5	l1	d2	d5	d6	h1	h3	h7 ≈	A/F	⚖
GN 918.7-40-SKS-*-15	40	15	M 6	24	20	10	26	0.2	15	72
GN 918.7-40-SKS-*-20	40	20	M 6	24	20	10	26	0.2	15	73
GN 918.7-40-SKS-*-25	40	25	M 6	24	20	10	26	0.2	15	74
GN 918.7-40-SKS-*-30	40	30	M 6	24	20	10	26	0.2	15	75
GN 918.7-40-SKS-*-35	40	35	M 6	24	20	10	26	0.2	15	76
GN 918.7-40-SKS-*-40	40	40	M 6	24	20	10	26	0.2	15	78
GN 918.7-40-SKS-*-50	40	50	M 6	24	20	10	26	0.2	15	78
GN 918.7-40-SKS-*-55	40	55	M 6	24	20	10	26	0.2	15	79
GN 918.7-40-SKS-*-60	40	60	M 6	24	20	10	26	0.2	15	81
GN 918.7-40-SKS-*-70	40	70	M 6	24	20	10	26	0.2	15	83
GN 918.7-40-SKS-*-75	40	75	M 6	24	20	10	26	0.2	15	85
GN 918.7-40-SKS-*-80	40	80	M 6	24	20	10	26	0.2	15	87
GN 918.7-40-SKS-*-90	40	90	M 6	24	20	10	26	0.2	15	89
GN 918.7-50-SKS-*-12	50	12	M 8	28	24	12	31	0.2	19	141
GN 918.7-50-SKS-*-22	50	22	M 8	28	24	12	31	0.2	19	145
GN 918.7-50-SKS-*-32	50	32	M 8	28	24	12	31	0.2	19	149
GN 918.7-50-SKS-*-42	50	42	M 8	28	24	12	31	0.2	19	152
GN 918.7-50-SKS-*-52	50	52	M 8	28	24	12	31	0.2	19	157
GN 918.7-50-SKS-*-62	50	62	M 8	28	24	12	31	0.2	19	160
GN 918.7-50-SKS-*-72	50	72	M 8	28	24	12	31	0.2	19	164
GN 918.7-50-SKS-*-82	50	82	M 8	28	24	12	31	0.2	19	168
GN 918.7-50-SKS-*-92	50	92	M 8	28	24	12	31	0.2	19	170
GN 918.7-50-SKS-*-102	50	102	M 8	28	24	12	31	0.2	19	168
GN 918.7-50-SKS-*-112	50	112	M 8	28	24	12	31	0.2	19	177

Weight type R



Machine elements



\* Complete with

R By clockwise rotation (drawn version)      L By anti-clockwise rotation

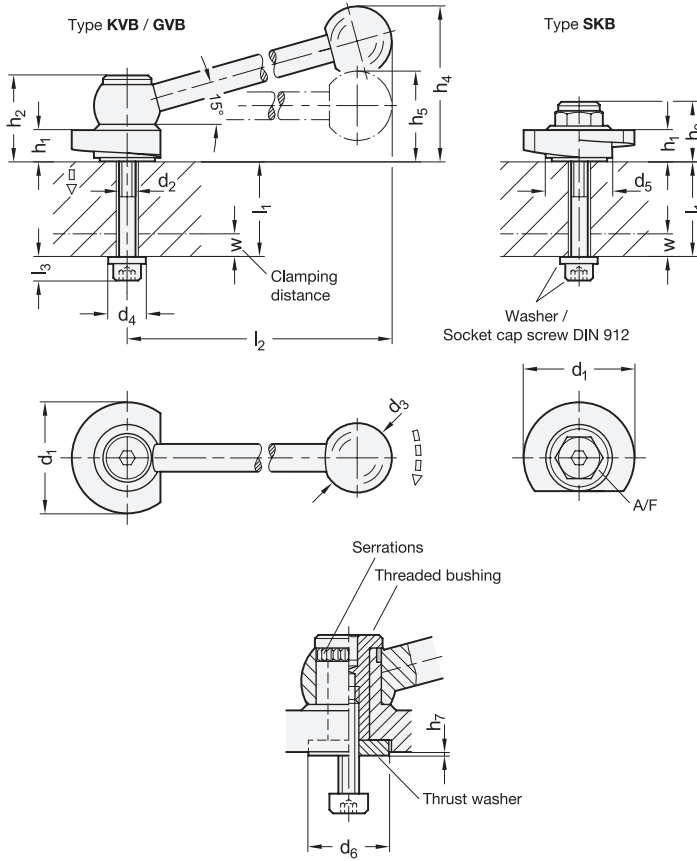
GN 918.7-KVB

STAINLESS STEEL

Description	d1 -0.5 l1 max.	d2	d3	d4	d5	d6	h1	h2	h4 ≈	h5	h7 ≈	l2 ≈	w max.	⚙	
GN 918.7-40-KVB-*-12	40	12	M 6	25	12	24	20	10	30.5	55	31	0.2	100	5	153
GN 918.7-40-KVB-*-22	40	22	M 6	25	12	24	20	10	30.5	55	31	0.2	100	5	156
GN 918.7-40-KVB-*-27	40	27	M 6	25	12	24	20	10	30.5	55	31	0.2	100	5	157
GN 918.7-40-KVB-*-32	40	32	M 6	25	12	24	20	10	30.5	55	31	0.2	100	5	158
GN 918.7-40-KVB-*-37	40	37	M 6	25	12	24	20	10	30.5	55	31	0.2	100	5	159
GN 918.7-40-KVB-*-42	40	42	M 6	25	12	24	20	10	30.5	55	31	0.2	100	5	160
GN 918.7-40-KVB-*-47	40	47	M 6	25	12	24	20	10	30.5	55	31	0.2	100	5	161
GN 918.7-40-KVB-*-57	40	57	M 6	25	12	24	20	10	30.5	55	31	0.2	100	5	162
GN 918.7-40-KVB-*-62	40	62	M 6	25	12	24	20	10	30.5	55	31	0.2	100	5	163
GN 918.7-40-KVB-*-67	40	67	M 6	25	12	24	20	10	30.5	55	31	0.2	100	5	163
GN 918.7-40-KVB-*-77	40	77	M 6	25	12	24	20	10	30.5	55	31	0.2	100	5	165
GN 918.7-40-KVB-*-82	40	82	M 6	25	12	24	20	10	30.5	55	31	0.2	100	5	167
GN 918.7-50-KVB-*-10	50	10	M 8	30	16	28	24	12	34.5	62	36	0.2	116	5	253
GN 918.7-50-KVB-*-20	50	20	M 8	30	16	28	24	12	34.5	62	36	0.2	116	5	256
GN 918.7-50-KVB-*-30	50	30	M 8	30	16	28	24	12	34.5	62	36	0.2	116	5	259
GN 918.7-50-KVB-*-40	50	40	M 8	30	16	28	24	12	34.5	62	36	0.2	116	5	263
GN 918.7-50-KVB-*-50	50	50	M 8	30	16	28	24	12	34.5	62	36	0.2	116	5	267
GN 918.7-50-KVB-*-60	50	60	M 8	30	16	28	24	12	34.5	62	36	0.2	116	5	270
GN 918.7-50-KVB-*-70	50	70	M 8	30	16	28	24	12	34.5	62	36	0.2	116	5	275
GN 918.7-50-KVB-*-80	50	80	M 8	30	16	28	24	12	34.5	62	36	0.2	116	5	278
GN 918.7-50-KVB-*-90	50	90	M 8	30	16	28	24	12	34.5	62	36	0.2	116	5	282
GN 918.7-50-KVB-*-100	50	100	M 8	30	16	28	24	12	34.5	62	36	0.2	116	5	286

Weight type R





\* Complete with

R By clockwise rotation (drawn version) L By anti-clockwise rotation

GN 918.7-GVB

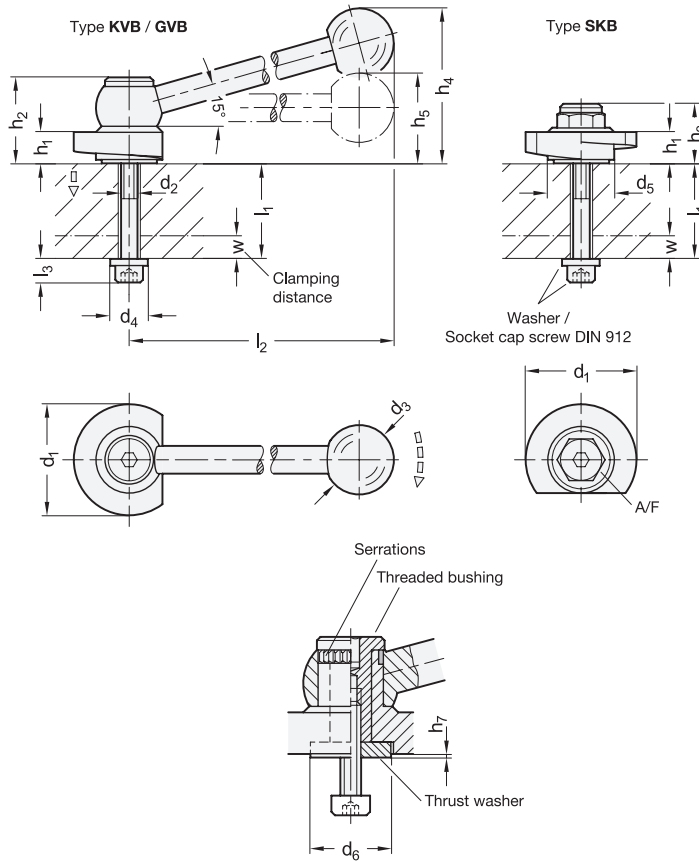
STAINLESS STEEL

Description	d1 -0.5	l1 max.	d2	d3	d4	d5	d6	h1	h2	h4 ≈	h5	h7 ≈	l2 ≈	w max.	⚖
GN 918.7-40-GVB-*-12	40	12	M 6	25	12	24	20	10	30.5	55	31	0.2	100	5	151
GN 918.7-40-GVB-*-22	40	22	M 6	25	12	24	20	10	30.5	55	31	0.2	100	5	153
GN 918.7-40-GVB-*-27	40	27	M 6	25	12	24	20	10	30.5	55	31	0.2	100	5	155
GN 918.7-40-GVB-*-32	40	32	M 6	25	12	24	20	10	30.5	55	31	0.2	100	5	156
GN 918.7-40-GVB-*-37	40	37	M 6	25	12	24	20	10	30.5	55	31	0.2	100	5	157
GN 918.7-40-GVB-*-42	40	42	M 6	25	12	24	20	10	30.5	55	31	0.2	100	5	158
GN 918.7-40-GVB-*-47	40	47	M 6	25	12	24	20	10	30.5	55	31	0.2	100	5	159
GN 918.7-40-GVB-*-57	40	57	M 6	25	12	24	20	10	30.5	55	31	0.2	100	5	160
GN 918.7-40-GVB-*-62	40	62	M 6	25	12	24	20	10	30.5	55	31	0.2	100	5	161
GN 918.7-40-GVB-*-67	40	67	M 6	25	12	24	20	10	30.5	55	31	0.2	100	5	161
GN 918.7-40-GVB-*-77	40	77	M 6	25	12	24	20	10	30.5	55	31	0.2	100	5	163
GN 918.7-40-GVB-*-82	40	82	M 6	25	12	24	20	10	30.5	55	31	0.2	100	5	165
GN 918.7-50-GVB-*-10	50	10	M 8	30	16	28	24	12	34.5	62	36	0.2	116	5	269
GN 918.7-50-GVB-*-20	50	20	M 8	30	16	28	24	12	34.5	62	36	0.2	116	5	272
GN 918.7-50-GVB-*-30	50	30	M 8	30	16	28	24	12	34.5	62	36	0.2	116	5	275
GN 918.7-50-GVB-*-40	50	40	M 8	30	16	28	24	12	34.5	62	36	0.2	116	5	279
GN 918.7-50-GVB-*-50	50	50	M 8	30	16	28	24	12	34.5	62	36	0.2	116	5	283
GN 918.7-50-GVB-*-60	50	60	M 8	30	16	28	24	12	34.5	62	36	0.2	116	5	286
GN 918.7-50-GVB-*-70	50	70	M 8	30	16	28	24	12	34.5	62	36	0.2	116	5	291
GN 918.7-50-GVB-*-80	50	80	M 8	30	16	28	24	12	34.5	62	36	0.2	116	5	294
GN 918.7-50-GVB-*-90	50	90	M 8	30	16	28	24	12	34.5	62	36	0.2	116	5	298
GN 918.7-50-GVB-*-100	50	100	M 8	30	16	28	24	12	34.5	62	36	0.2	116	5	302

Weight type R



Machine elements 9



\* Complete with

**R** By clockwise rotation (drawn version)      **L** By anti-clockwise rotation

GN 918.7-SKB

STAINLESS STEEL

Description	d1 -0.5	l1 max.	d2	d4	d5	d6	h1	h3	h7 ≈	A/F	w max.	⚖
GN 918.7-40-SKB-*-12	40	12	M 6	12	24	20	10	21	0.2	15	5	69
GN 918.7-40-SKB-*-22	40	22	M 6	12	24	20	10	21	0.2	15	5	71
GN 918.7-40-SKB-*-27	40	27	M 6	12	24	20	10	21	0.2	15	5	72
GN 918.7-40-SKB-*-32	40	32	M 6	12	24	20	10	21	0.2	15	5	73
GN 918.7-40-SKB-*-37	40	37	M 6	12	24	20	10	21	0.2	15	5	74
GN 918.7-40-SKB-*-42	40	42	M 6	12	24	20	10	21	0.2	15	5	75
GN 918.7-40-SKB-*-47	40	47	M 6	12	24	20	10	21	0.2	15	5	76
GN 918.7-40-SKB-*-57	40	57	M 6	12	24	20	10	21	0.2	15	5	78
GN 918.7-40-SKB-*-62	40	62	M 6	12	24	20	10	21	0.2	15	5	78
GN 918.7-40-SKB-*-67	40	67	M 6	12	24	20	10	21	0.2	15	5	79
GN 918.7-40-SKB-*-77	40	77	M 6	12	24	20	10	21	0.2	15	5	81
GN 918.7-40-SKB-*-82	40	82	M 6	12	24	20	10	21	0.2	15	5	83
GN 918.7-50-SKB-*-10	50	10	M 8	16	28	24	12	24	0.2	19	5	135
GN 918.7-50-SKB-*-20	50	20	M 8	16	28	24	12	24	0.2	19	5	138
GN 918.7-50-SKB-*-30	50	30	M 8	16	28	24	12	24	0.2	19	5	141
GN 918.7-50-SKB-*-40	50	40	M 8	16	28	24	12	24	0.2	19	5	145
GN 918.7-50-SKB-*-50	50	50	M 8	16	28	24	12	24	0.2	19	5	149
GN 918.7-50-SKB-*-60	50	60	M 8	16	28	24	12	24	0.2	19	5	152
GN 918.7-50-SKB-*-70	50	70	M 8	16	28	24	12	24	0.2	19	5	157
GN 918.7-50-SKB-*-80	50	80	M 8	16	28	24	12	24	0.2	19	5	160
GN 918.7-50-SKB-*-90	50	90	M 8	16	28	24	12	24	0.2	19	5	164
GN 918.7-50-SKB-*-100	50	100	M 8	16	28	24	12	24	0.2	19	5	168

Weight type R

